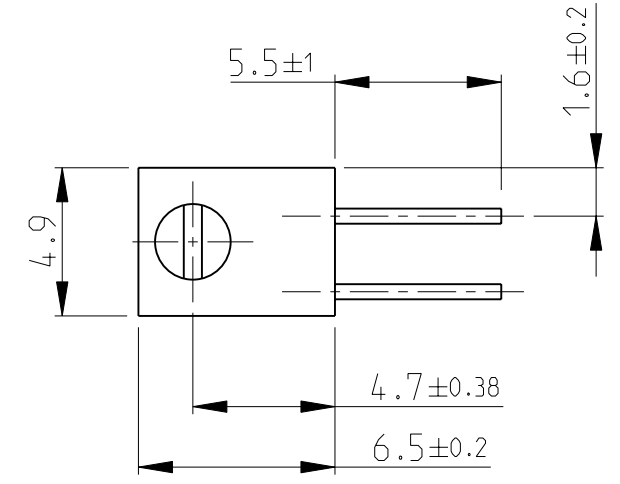
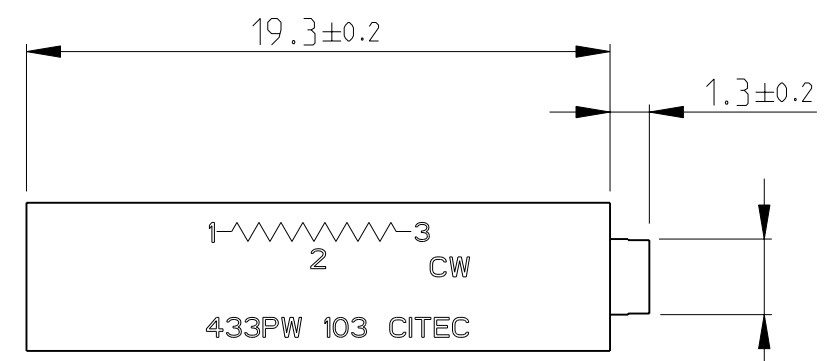


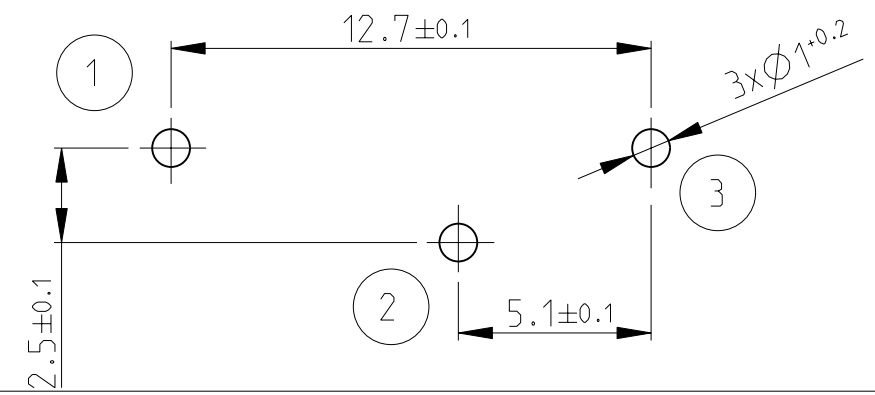
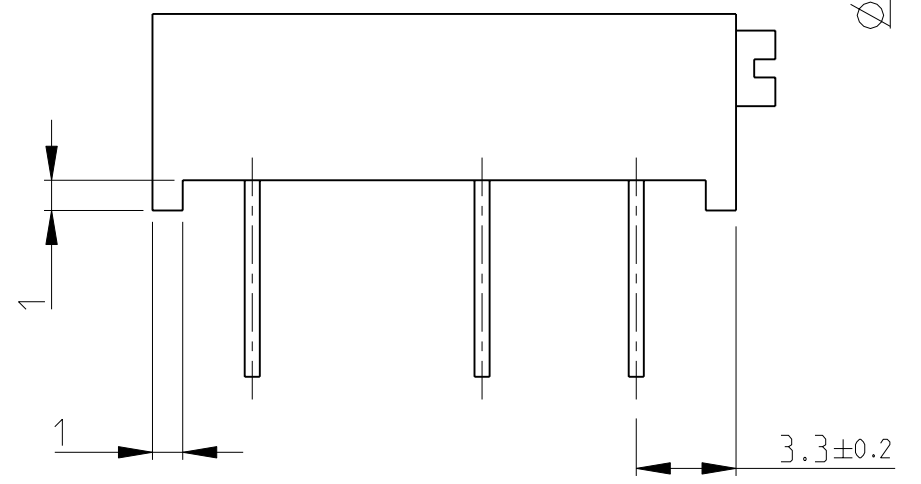
THIS DRAWING IS UNPUBLISHED. RELEASED FOR PUBLICATION 2008
 © COPYRIGHT 2008 Tyco Electronics AMP GmbH ALL RIGHTS RESERVED.

LOC		DIST		REVISIONS			
P	LTR	DESCRIPTION		DATE	DWN	APVD	
E	B	B	ECR-12-010067	18MAY2012	KR	St.P	

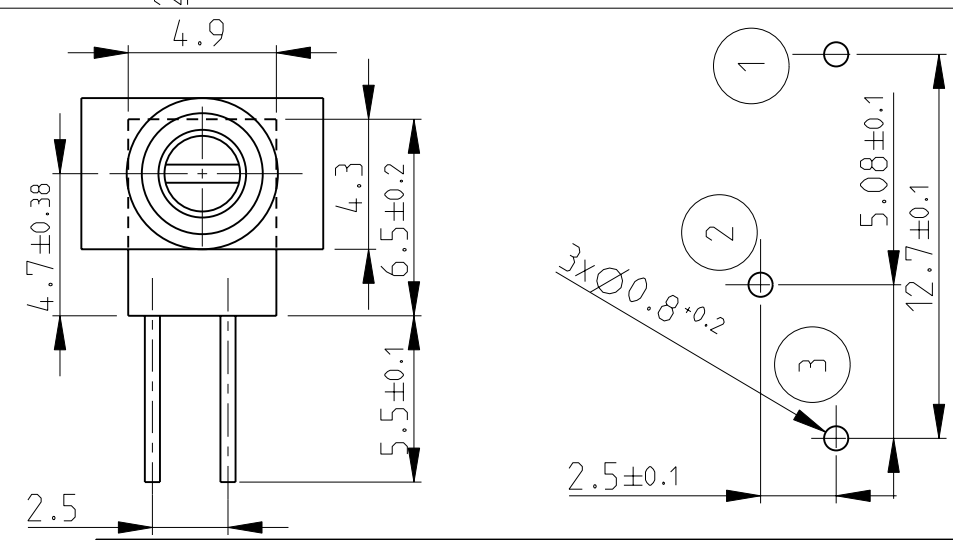
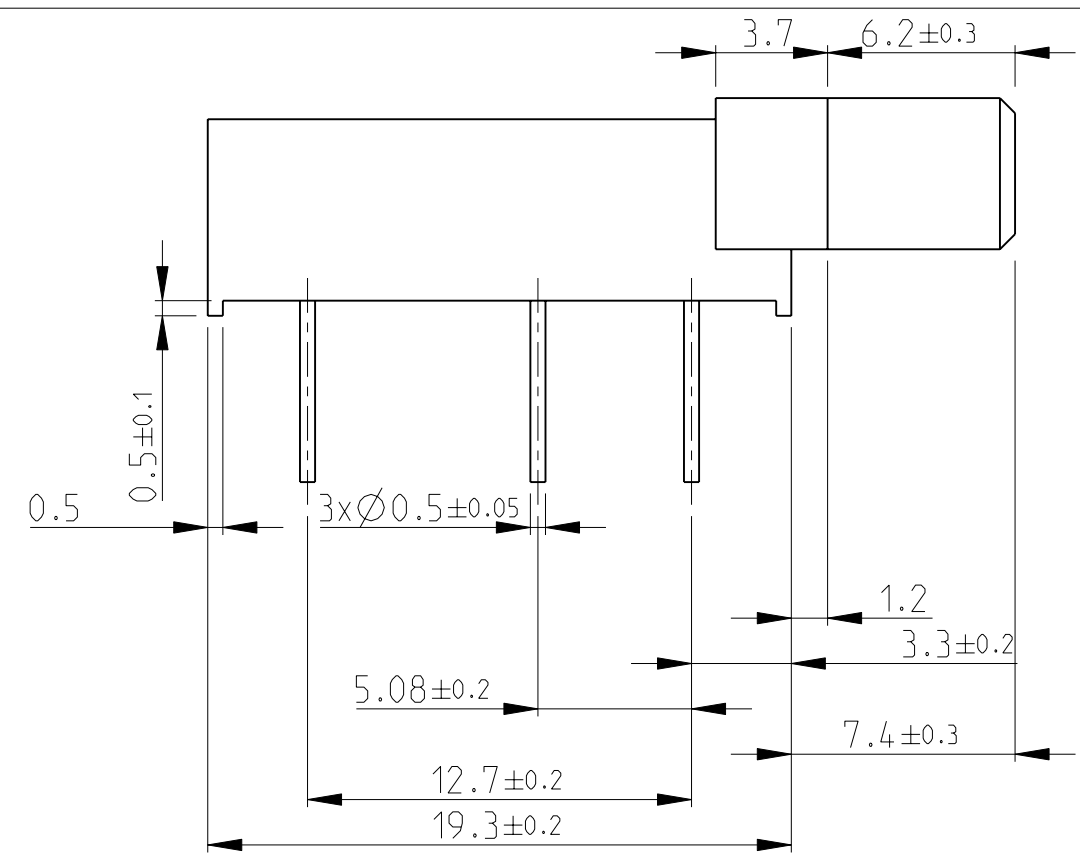
FOR FURTHER INFORMATION SEE DATA SHEET FOR
 433 SERIES-PROFESSIONAL TRIMMERS



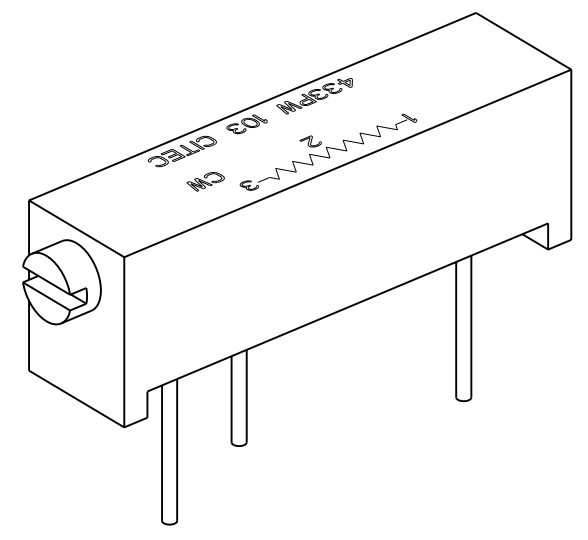
PCB Piercing Plan



RoHS Compliant



PCB Piercing Plan



THIS DRAWING IS A CONTROLLED DOCUMENT.

DIMENSIONS:		TOLERANCES UNLESS OTHERWISE SPECIFIED:	
mm		0 PLC	±0.5
		1 PLC	±0.2
		2 PLC	±0.1
		3 PLC	±
		4 PLC	±
MATERIAL		ANGLES	±1°
FINISH			

DWN	SUBHASH	07-07-08
CHK	PRAKASH	07-07-08
APVD	STEPHEN.P	07-07-08
PRODUCT SPEC		
APPLICATION SPEC		
WEIGHT		

		TE Connectivity	
		NAME	
PROFESSIONAL TRIMMERS		RESTRICTED TO	
SERIES 433			
SIZE	CAGE CODE	DRAWING NO	
A3	00779	©=1623866	

CUSTOMER DRAWING SCALE 5:1 SHEET 1 OF 1 REV B